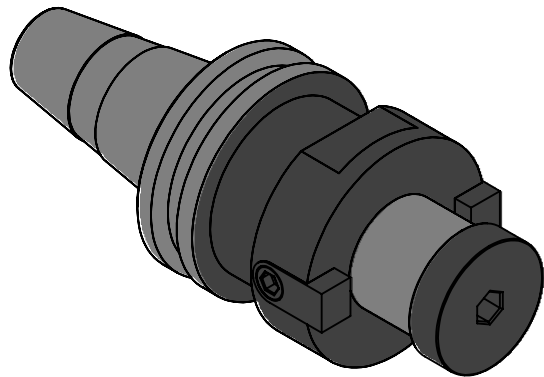
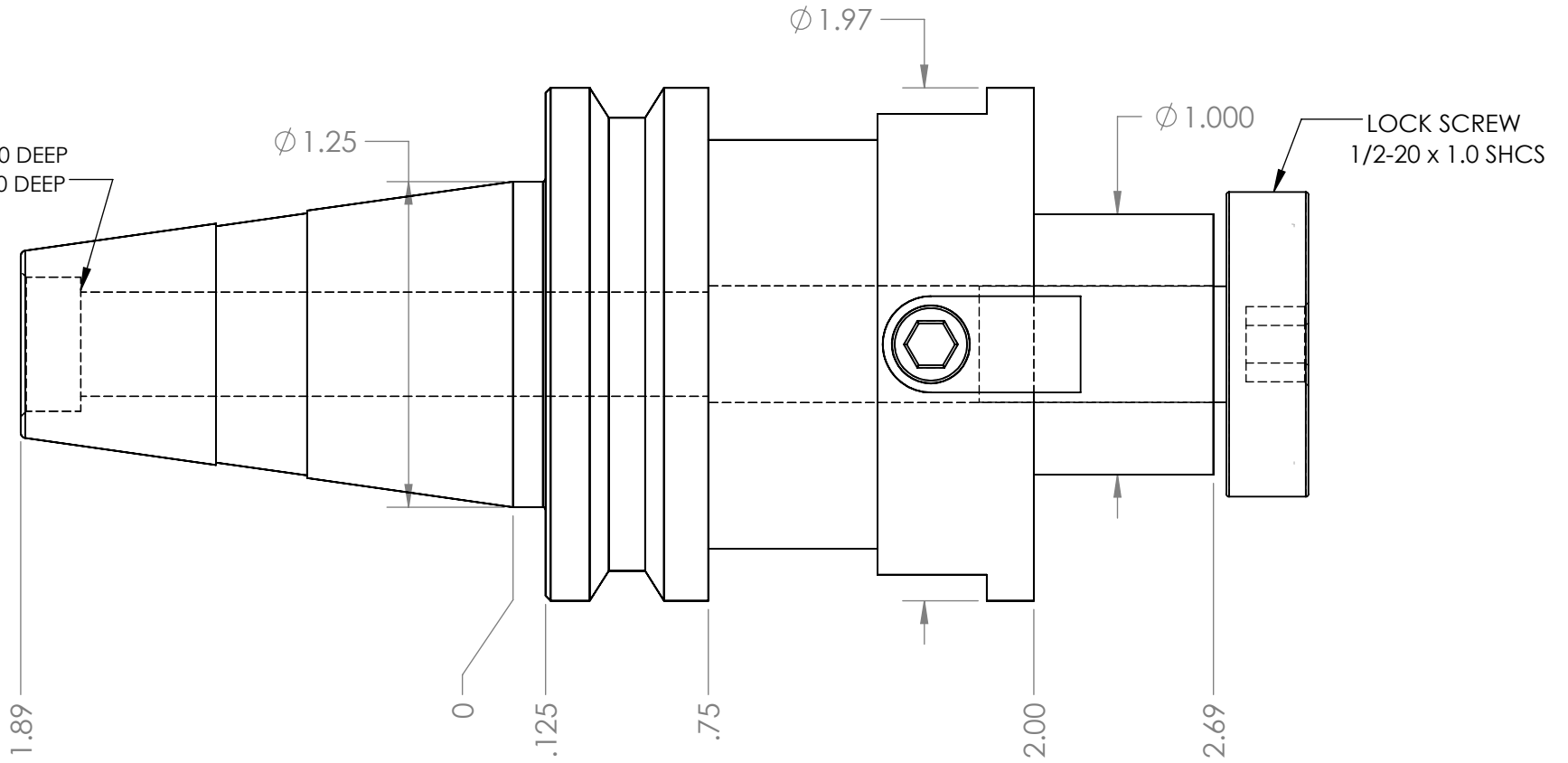


M12x1.75 THREAD x 1.0 DEEP
C'BORE DIA .515 x .230 DEEP



NOTES:
WORKS ON ALL ISO30 MACHINES
HOLDER USES LOCK SCREW 1/2-20 x 1.0 SHCS (INCLUDED)
FOR MORE PRODUCT DETAILS PLEASE GO TO MARITOO.COM
AND SEARCH ITEM # LISTED ON THIS PRINT

MARITOO

WWW.MARITOO.COM

ITEM# **ISO30 FMA1.0-2.0**

Made in USA